



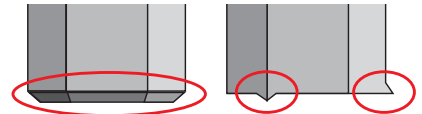
ProHold® Socket Bits
Large Sizes
 for big jobs



Available in sizes
 up to 2", 36mm
 and T100 TORX®



Sizes are plainly marked on sockets



BONDHUS TIP:
 Clean corners and
 smooth end

COMPETITOR:
 Burrs and other
 imperfections

Bondhus chamfers every Hex End
 socket bit for easy insertion

BONDHUS
LIFETIME WARRANTY
 If any Bondhus® tool breaks
 or fails to meet your
 expectations in any way,
 simply return it. We
 will replace it free
 of charge.



High Torque Steel:

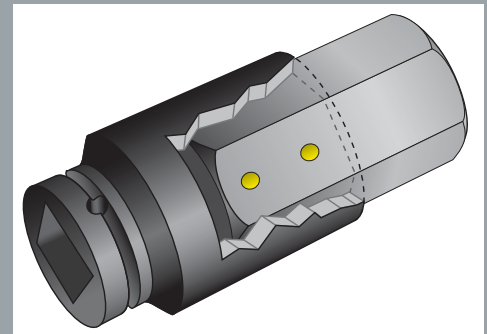
Up to 20% stronger, with more torque and twice the wear
 resistance of standard grades of steel.

BIT FINISH:



Corrosion-resistant finish:

Environmentally safe, provides better tool grip, resists
 solvents and is 5 times more corrosion resistant than
 competitor finishes.



Patented ProHold® button technology
 secures bits in sockets without the
 use of set screws or roll pins

www.bondhus.com



Singles	SIZE	LENGTH	PART#	QTY
Inch	7/8	2.5"	33220	1
	1	2.5"	33221	1
	1 1/8	2.5"	33223	1
	1 1/4	2.5"	33225	1
	1 1/2	2.5"	33229	1
	1 3/4	2.5"	33231	1
	2	2.5"	33233	1
	Metric	22	2.5"	33291
24		2.5"	33293	1
27		2.5"	33295	1
32		2.5"	33297	1
36		2.5"	33200	1

Singles	SIZE	BIT STOCK	LENGTH	PART#	QTY
TORX®	T70	17mm	2"	32070	1
	T80	19mm	2"	32080	1
	T90	22mm	2.5"	32090	1
	T100	22mm	2.5"	32000	1

Distributed by:

Bondhus Corporation
1400 E Broadway • PO Box 660 • Monticello, MN 55362
Tel: 763-295-2162 • Toll Free: 800-328-8310 • Fax: 763-295-4440

TORX® and TORX PLUS® are registered trademarks of Acument Intellectual Properties, LLC.
Bondhus, Protanium and ProGuard are trademarks of Bondhus Corporation.