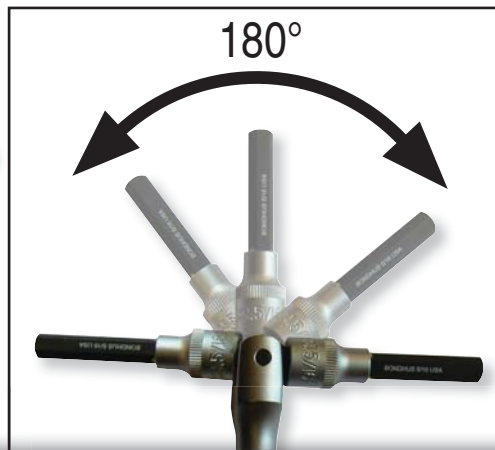




- Protanium® Steel bits
- Chrome Vanadium steel breaker bar and 6 point sockets
- Breaker bar fits any 3/8" socket
- Versatile 2" working length bits
- Pivot head breaker bar delivers high torque to fasteners in hard to reach locations



BONDHUS
LIFETIME WARRANTY
If any Bondhus® tool breaks or fails to meet your expectations in any way, simply return it. We will replace it free of charge.



High Torque Steel:

Up to 20% stronger, with more torque and twice the wear resistance of standard grades of steel.

BIT FINISH:

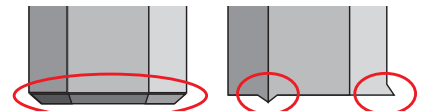


Corrosion-resistant finish:

Environmentally safe, provides better tool grip, resists solvents and is 5 times more corrosion resistant than competitor finishes.



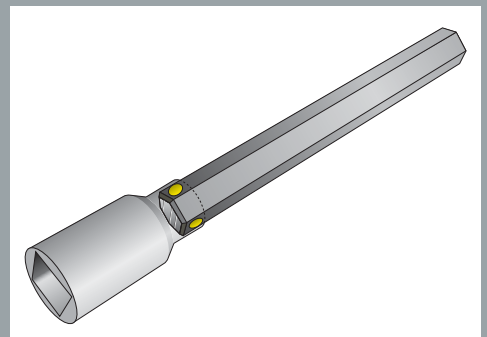
Sizes are plainly marked on both sockets and bits



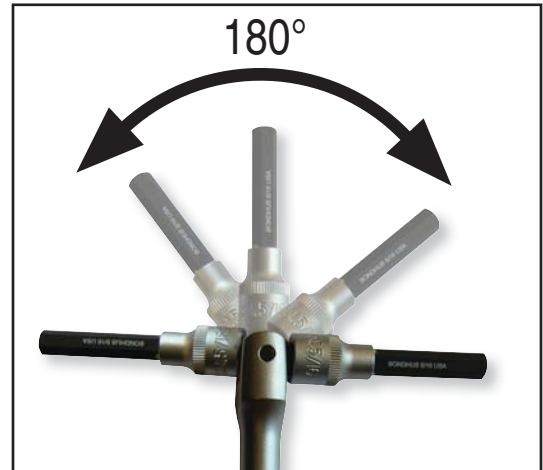
BONDHUS TIP:
Clean corners and smooth end

COMPETITOR:
Burr and other imperfections

Bondhus chamfers every Hex End socket bit for easy insertion



Patented ProHold® button technology secures bits in sockets without the use of set screws or roll pins



Sets	PART#	MODEL#	PCS	LENGTH	CONTENTS	QTY
Inch	43296	PHX6/S-2/PB	6	2"	5/32, 3/16, 7/32, 1/4, 5/16, 3/8"	1
Metric	43295	PHX6M/S-2/PB	6	2"	4, 5, 6, 7, 8, 10mm	1

Distributed by: